



WMF COFFEE MACHINES

Base Information

WMF prestolino! Type 1300



prestolino!

WMF prestolino! Type 1300

Application

Espresso, Milky Coffee and hot Chocolate
Steam and Tea Water

Capacity

For Outlets up to 60 Cups/Day

Service Period

Approximately 6,000 brewing

Professional technology to enter the professional world of coffee

A coffee machine is perfect if it does exactly what you need. After all, what professional wants to invest money unnecessarily in an oversized machine or make do with a domestic model! The new WMF prestolino! is designed for low to medium demand and is every bit equal to its big sisters in terms of quality and ease of use.

Its modern design, intuitive operation, the revolutionary cleaning concept, the proven professional technology, the good service for which WMF is known and, last but not least, the price will convince you. Your diners, customers and staff will be won over by the WMF prestolino! with a huge choice of perfect coffee specialities and excellent taste.

TECHNICAL DATA

| Standard Models | 1300.0010 | 1300.0100 |
|--------------------|---|--|
| Hourly Output | Espresso 80 Cups/h Café Crème 60 Cups/h Cappuccino N.A. Choc (optional) 50 Cups/h | 80 Cups/h 60 Cups/h 60 Cups/h 50 Cups/h |
| Product Containers | Coffee Bean Hopper Choc Powder (optional) | (1 optional 2) 500 g 500g (optional Milk Powder) |
| Dimension | Height x Width x Depth Weight | 682 x 325 x 555 mm ~ 33 kg |
| Connections | Power Supply Water Supply Drainage | 1P/N/E 230V 50/60Hz / 2.2 kW 1/2" (minimum 1.5 bar) / Tank 4.0 L 25 mm |
| Options | Steam / Frothier head Mobile Station Universal Cooler / Cup Dispenser Cup Rack Cup & Cool | NO YES YES YES YES |

WMF AG Coffee Machines International 73312 Geislingen/Steige, Germany

Phone +41 7331 258482 Fax +41 7331 258792, Mail: professional@wmf.com, Web: <http://www.wmf.com>

Service Agent: RICMAS International Pte. Ltd. 25 International Business Park, German Centre #01-07/10, Singapore 609916

Phone: +65 65628853, Fax: +65 65628854, Mail: wmf@ricmas.com, Web: <http://www.ricmas.com>



WMF COFFEE MACHINES

Data Sheet

WMF prestolino! Type 1300

| | |
|----------------------------|--|
| Brewing process: | speciality coffees and drinking chocolate with and without milk or milk powder topping Drinking chocolate made of chocolate powder, hot water and addition of milk. |
| Daily output: | 10 L hot water total output per day |
| Option: | Locks for grinders and milk-/chocolate dispensers, steam outlet, LED-lighting, tank filter 33 2332 5000 for WMF prestolino! with water tank. Only for Prestolino equipped with permanent water supply, water filter Bestmax S, (dimensions 88 Ø x 370 mm) for optimising water quality and reduction of calcification. |
| Accessories: | special tool for grinders, cleaning brush, basic equipment decalcifier, cleaning tablets, milk cleaner |
| Degree of protection: | IPX0 |
| Protection class: | Protection class I |
| Perceptible heat emission: | 0.05 kWh/h in standby mode |
| Perceptible heat emission: | 2.045 kWh/h in maximum mode |
| Cont. sound level (Lpa) | < 70 dB (A) |
| Water connection: | DN 10, (3/8") e.g. corner valve |
| Flow pressure: | with fixed water connection at least 0.2 MPa (2.0 bar), at 2 L min. |
| Miscellaneous: | coffee machine with dry residue discharge into an integrated drawer or optional with sediment discharge into a building-side container. |
| Drain: | drip trough without drain. Optional drain DN 19, gradient at least 2% |
| Empty weight: | approximately 33-38 kg depending on execution |

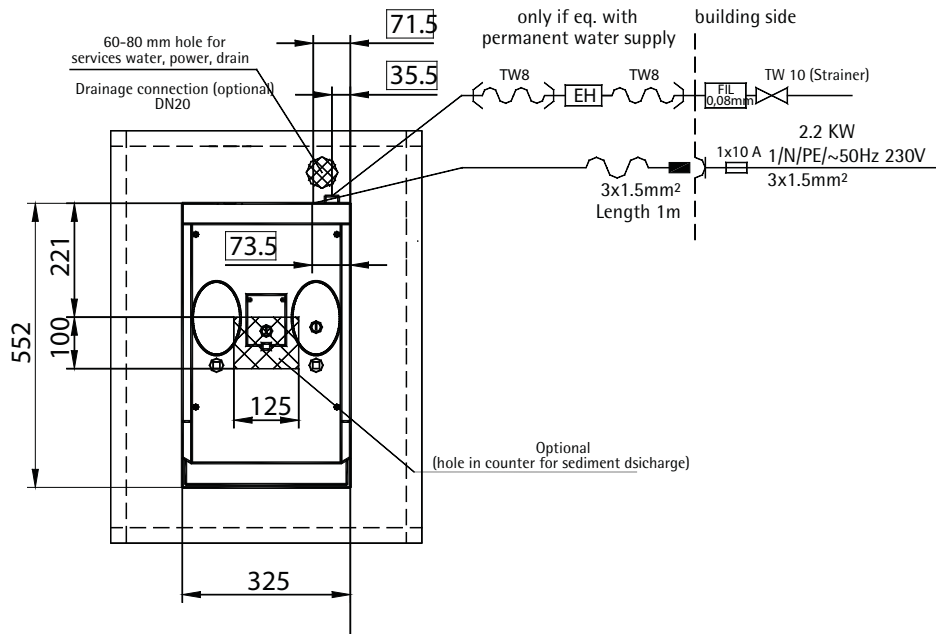
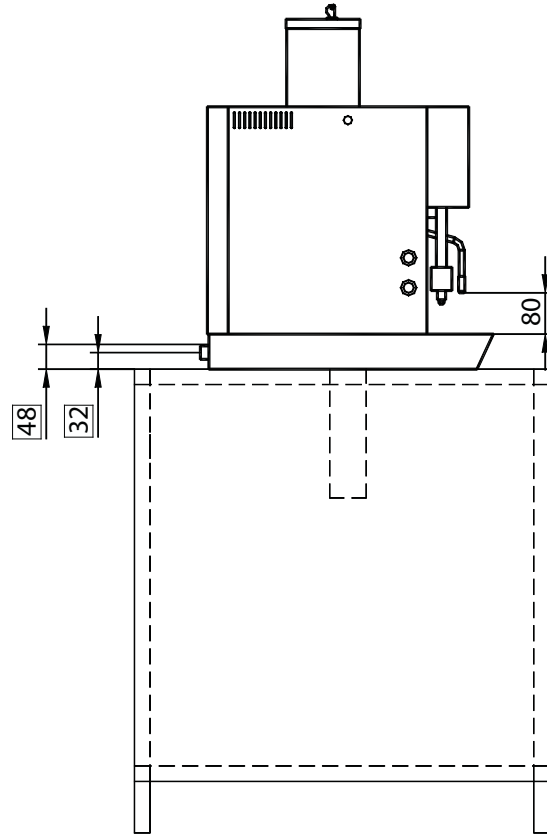
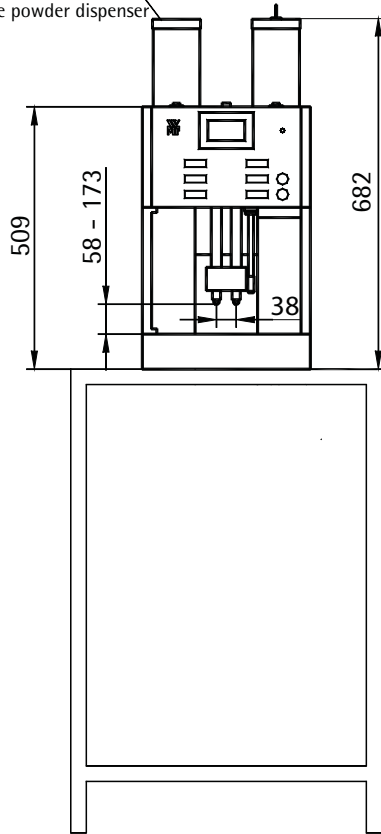


WMF COFFEE MACHINES

Planing Information

WMF prestolino! Type 1300

modulare concept for
1-2 coffee grinders and/or
milk-/chocolate powder dispenser



WMF AG Coffee Machines International 73312 Geislingen/Steige, Germany

Phone +41 7331 258482 Fax +41 7331 258792, Mail: professional@wmf.com, Web: <http://www.wmf.com>

Service Agent: RICMAS International Pte. Ltd. 25 International Business Park, German Centre #01-07/10, Singapore 609916

Phone: +65 65628853, Fax: +65 65628854, Mail: wmf@ricmas.com, Web: <http://www.ricmas.com>